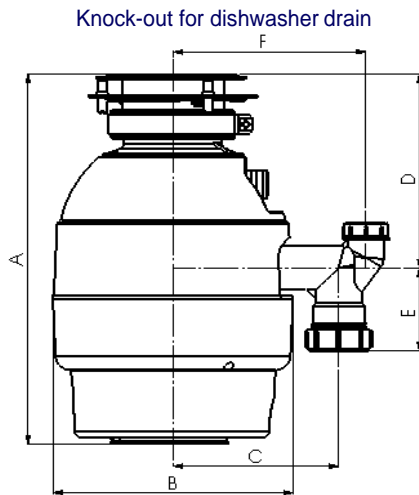


FWD-050SS-1



*Efficient, safety and reliable
Supreme grinding efficiency
Silent DC motor
Hygienic & convenient
Warranty 5-Year in-home service*



Measurements in Millimeters

A : 335	B : 205
C : 141	D : 175
E : 75	F : 165

Features

- 1/2Horsepower with high-speed permanent magnet motor 5500r.p.m.
- Fast grinding technology
- Corrosion proof stainless steel
- Manual reset for overload protection
- Handy wall switch operation
- Easy and convenient installation
- Trendy and unique gun metal color
- With built in air switch

Specifications

- Motor Speed : 5500 rpm
- Horsepower : 1/2HP
- Voltage : 220 - 240V
- Frequency: 50Hz
- Current : 2.6A
- Type of feed : Continuous
- Motor type : Permanent magnet DC motor
- Sound shell: Yes
- Overload protection : Manual reset
- Individual shipping weight : 5.5 kg

Materials

- Sink flange : Stainless steel
- Hopper : Glass filled nylon
- Swivel impeller : Stainless steel
- Grind ring : Stainless steel
- Turntable : Stainless steel

Optional accessories

- Lock Mount
- Sink Baffle
- Stopper
- Flange
- Plumbing Kit